



Al Jaber Heavy Lift

Safely

onwards and upwards

BROCHURE



3,200 te capacity Demag CC8800-1
with a crawler twin attachment



Mission Statement

To consistently provide our clients with safe, comprehensive, high quality, engineered heavy lifting and transportation services onshore and offshore which meet world class standards.

Safety, Health & Environment

Safety, health and environmental concerns are our first priority. Therefore, we have developed our procedures and documentation to the highest international standards and we ensure that they are comprehensively applied to our projects.

Our safety, health & environmental policy provides that it is a primary and continuing priority in the conduct of our activities that we endeavour to protect the safety and health of everyone affected by these activities and we endeavour to limit the adverse effects on the physical environment in which our activities are carried out.

Therefore, in our efforts to set safety, health and environmental standards we:

- Provide and maintain a safe, healthy working environment in compliance with all local regulations and legislation, together with all appropriate international standards and regulations.
- Ensure that all items of plant, equipment and all substances used in our diverse operations are properly used, maintained and handled in a manner that does not constitute a risk to persons or the environment.
- Ensure that all employees are informed of the operational and safety standards, practices, objectives and procedures and that we train them in the appropriate attitudes, skills and knowledge necessary to achieve these requirements.
- Ensure that all employees are made aware of their own responsibilities towards themselves and others. We encourage them to adopt safe, healthy working practices at all times during the course of their employment.
- Establish feed back procedures and systems and encourage all personnel to participate in safety, health and environmental matters.
- Carry out regular audits, inspections and surveys of sites and activities to ensure compliance with and adherence to these standards and conditions.
- Make assessments of all prospective activities, new works, developments, acquisitions or modifications to ensure their compliance with these standards and requirements.

Training

Training is integral to the development of our safe, efficient and multi-skilled workforce and an essential element of our work philosophy. Our personnel are all trained and externally certified to appropriate levels which comply with international standards. This ensures that our teams are capable of handling expensive and delicate equipment and that they are fully aware of the consequences and impact on project schedules if not handled correctly.



Cranes up to 3,200 te capacity for equipment installation.



Barges up to 15,000 te dead weight and tugs for marine transportation.



Modular and conventional trailers with capacities up to 40 te per axle line for overland transportation.



Quality Policy

Al Jaber Heavy Lift is committed to providing professional, engineered contract heavy lifting, heavy transport, crane hire and alternative lifting services to clients onshore and offshore which meet world class standards. This is achieved through owning a well maintained fleet of equipment supported by a team of highly qualified, experienced and motivated staff whose expertise guarantees the quality of the services.

The company has an integrated quality system designed around the requirements of ISO 9001:2008 that ensures the needs and expectations of the customers are met. Within this system, Computer Aided Design is utilised to develop optimum equipment configurations and locations to safely meet the requirements of each contract on a timely basis.

Management and staff are committed to comply with and continually improve the effectiveness of the quality management system within the integrated framework for establishing and reviewing quality objectives.

Communication, both within the Company and with Customers, is vital for the delivery of any efficient service. This is given the highest priority by the management who train and develop the staff to international standards.

By concentrating on supplying a service of the highest quality Al Jaber Heavy Lift has become an international leader in the provision of lifting and transportation services to the Petrochemical, Civil Engineering and Marine Industries. We intend to continually develop our service by responding to customer needs and proactively seeking ways to improve our quality system. We believe we are the best, but intend to become better.

Engineering

We believe engineering lies at the very heart of our business. When moving and erecting large and / or heavy objects there are numerous engineering constraints to overcome before determining the optimum solution. These are assessed by in depth engineering studies. Al Jaber Heavy Lift provides all the necessary skills and expertise to engineer comprehensive packages which form the blueprints for the operations and contain all the necessary information to ensure that the work is conducted to the highest possible safety and quality standards. This evaluation process can be provided either as a separate consultancy service or as an integral part of our overall project execution services.



Our surveying team performs checks on foundation holding bolts and vessel orientation prior to lowering onto foundation in accordance with engineering methodology documentation.



Our site supervision executes quality checks of lashing and stability for comparison with project work pack requirements prior to transportation of the load.



Computer aided design (CAD) procedures are used by our engineers.

Al Jaber Heavy Lift, a member of the Al Jaber Group, specialises in the full range of lifting and transportation services onshore and offshore from hire and trip basis to the execution of totally engineered and managed “factory to foundation” projects comprising marine transportation, overland transportation and erection of cargo at site.

1. Marine transportation



2. Overland transportation

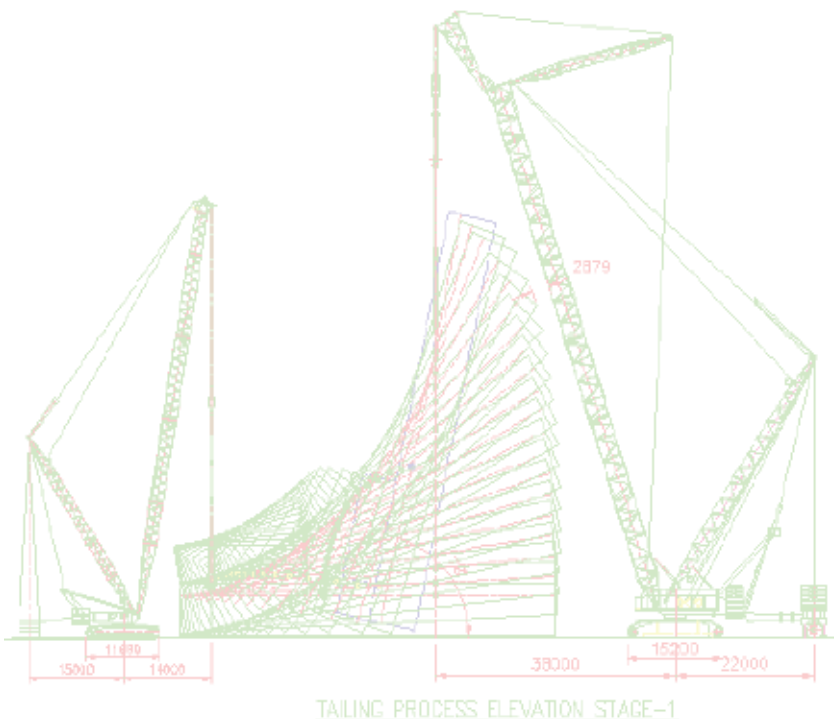


ILLUSTRATION PICTURES 1, 2 & 3

Location : UK to Qatar
 Equipment deployed : Demag CC8800 (1,250 te crawler crane), Demag CC2800 (600 te crawler crane), 40 lines SPMT and heavy lift ship.

Collecting two cold boxes weighing 581 te (length 60m, width 7m, height 14m) from Ellesmere Port (UK), shipping to Ras Laffan Port (Qatar), overland transport to site using 40 lines SPMTs and erection onto the foundation using a Demag CC8800 as main crane and a Demag CC2800 as tailing crane.

3. Erection of cargo



The operations are executed by our teams of highly experienced and motivated personnel whose technical expertise ensures the quality of our services. Emphasis is placed upon the implementation of homogenous and comprehensive integrated documentation and procedures to ensure that our safety, engineering, quality and training requirements are applied and maintained at the highest standards.

1. Marine transportation



2. Overland transportation



3. Erection of cargo



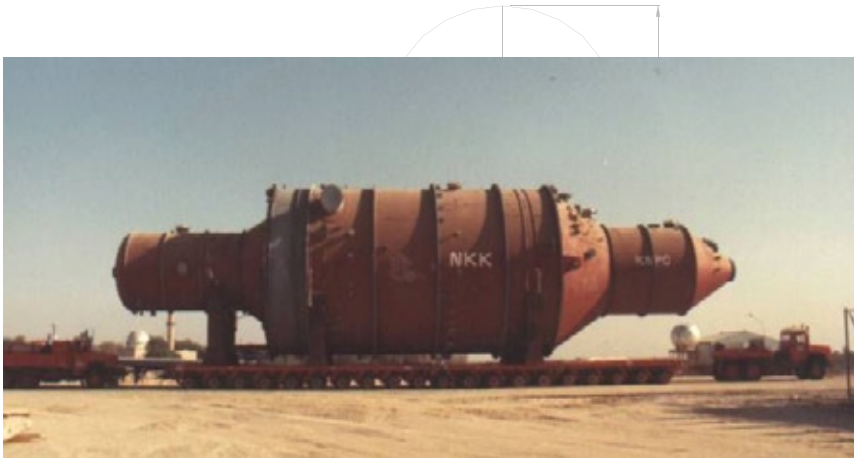
ILLUSTRATION PICTURES 1, 2 & 3

Location : Sharjah to Ruwais,(UAE)
Equipment deployed : Demag CC8800-1(1,600 te crawler crane), Demag CC2800 (600te crawler crane), 48 lines SPMT, “Al Jaber 30” (4500 dwt. barge), “Al Jaber 17” (2,200 dwt. landing craft), “Al Jaber 6” (45 te bollard pull tug)

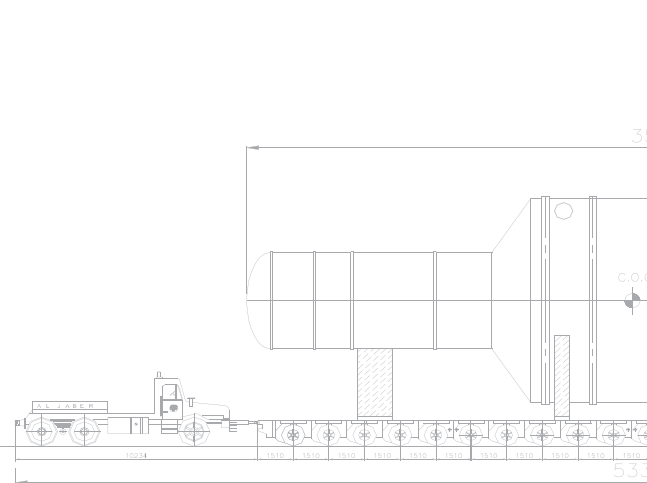
Marine loadout, transportation and discharge of three super heavy columns weighing up to 1,100 te (diameter 9m, length 64m) at the fabrication yard. Overland transportation to site using 48 lines SPMT’s. Erection onto the foundation using a Demag CC8800-1 as main crane and a Demag CC2800 for tailing.



Al Jaber Heavy Lift provides integrated heavy lifting and transportation services to a broad spectrum of blue chip customers. For more than 30 years we have carried out prestigious projects in the Gulf, Subcontinent and Far East regions involving the marine transport, inland transport, and erection of heavy equipment for power stations, desalination units, fertiliser, gas and petrochemical plants, refineries, cement factories, steel structures, bridges and heavy offshore module fabrication companies



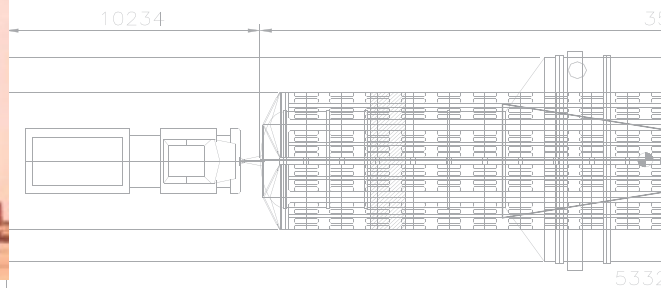
1984 - Transporting a 370 te reactor in the U.A.E.



SIDE VIEW



1985 - Transportation & load out of a 210 te offshore module in the U.A.E.



TOP VIEW



1985 - Erecting an 833 te reactor in Kuwait, a world record at the time.



1988 - Lifting a 225 te reactor head in Holland.



1992-Erecting a 200 te vessel in the K.S.A.



2004 - Lifting a 260 te compressor in Qatar.



2006 - Receiving a 700 te vessel in the U.A.E.



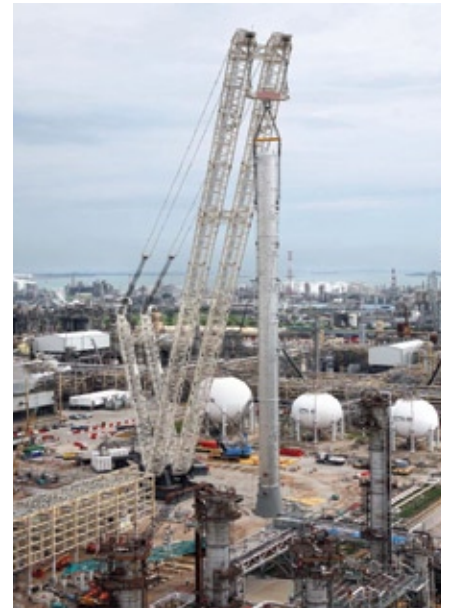
2006 - Load out of a 660 te STD jacket in the U.A.E.



2007 - A 1,200 te capacity crane mounted on an Al Jaber jack up barge in Malaysia



2009 - Erection of a 250 te pre-assembled rack in Singapore using a Liebherr LR 1750



2010 - Erection of a 300 te column using a Demag CC8800-1 with a crawler twin attachment in singapore

Al Jaber Heavy Lift owns and operates an extensive fleet of state-of-the-art, environmentally friendly cranes, self-propelled modular transporters and conventional trailers, including all necessary ancillary equipment which are at the cutting edge of technology to carry out our customers foreseeable heavy lift and transport requirements. In addition, the Al Jaber Group owns and operates a fleet of ships including barges and ro-ro vessels from in-house port facilities and can make available jetty space to clients for delivery and collection of heavy cargo.



An Al Jaber jetty facility in the UAE

1. Marine transportation



2. Overland transportation



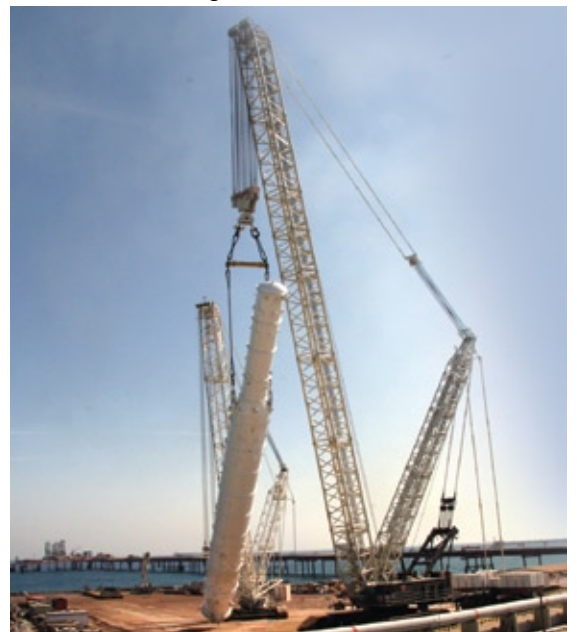
ILLUSTRATION PICTURES 1, 2 & 3

Location : Mussaffah, Abu Dhabi to Das Island (UAE).

Equipment deployed : Demag CC8800-1 (1,600te crawler crane) and Demag CC 2800-1 (600te crawler crane), 56 axle lines SPMT together with barge “Al Jaber 37”, tug “Al Jaber 2” and tug “Al Jaber 7”.

Collecting a vessel weighing 270te (58.5m long, 4.5m diameter); shipping from Mussaffah, Abu Dhabi to Das Island (UAE).

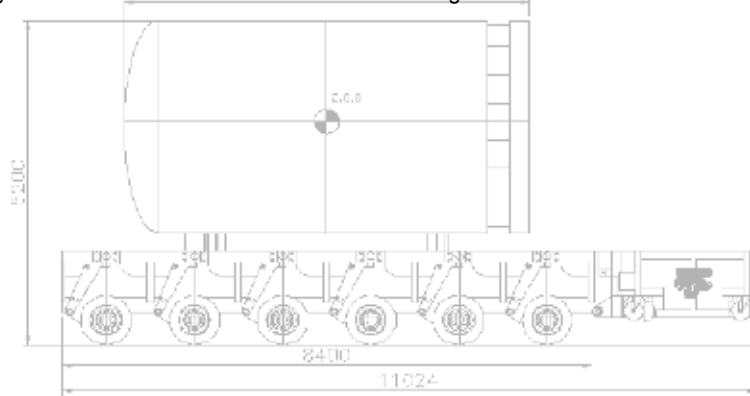
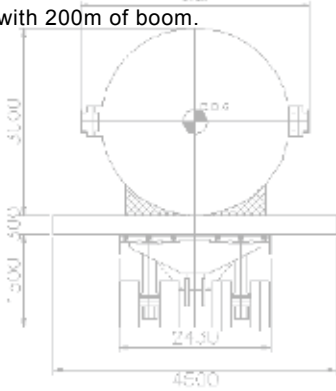
3. Erection of cargo





3,200te capacity Demag CC8800-1 with a crawler twin attachment in the Middle East lifting 425te at 60m radius with 200m of boom.

3,200te capacity Demag CC8800-1 with a crawler twin attachment lifting 548te at 46m radius with 138m boom in Europe.



Weighing and load out of a 4,015 te rig hull "Thule Power" onto a barge by means of 154 hydraulic axle lines of self propelled modular trailers (SPMT's).



Installation of an HP Separator using a 400te capacity hydraulic gantry system.

Our objective is to consistently provide our clients with safe, comprehensive, high quality, engineered heavy lifting and transportation solutions onshore and offshore which meet world class standards. Therefore, we place great emphasis on understanding and supporting our clients through personal contact and assistance in the planning of our services to achieve the best possible solution and the most cost effective, safe handling of their goods. We believe that the successful implementation of our high professional standards largely depends upon our ability to anticipate even the smallest details in the operations.



Load out of a 1,700 te MED unit using 64 hydraulic axle lines of self propelled modular trailers (SPMT's).



Load out of a 6,300 Te offshore drilling rig onto a semi submersible barge using 232 hydraulic axle lines of self propelled modular trailers (SPMT's).



Warehousing services

In order to provide a comprehensive capability to our clients, Al Jaber Heavy Lift has a strong track record of providing related ancillary services which give rise to synergies when combined with our lifting and transportation resources. These services include FEED studies and warehousing support as well as fabrication and offshore logistics under the auspices of our subsidiaries Asia Offshore Services (AOS) Pte Limited and Asia Offshore Marine Services (AOMS) Pte Limited respectively. These companies operate from our waterfront fabrication yard in Singapore and also benefit from excellent links to international road, rail and air transport networks.



Above 3 pictures - Fabrication works and offshore logistics services.



1



2



3



4



5



6

1 to 6 above – Fabrication, overland transport, lifting and marine transport of an LP Boiler module by AOS at their waterfront facility in Singapore.



Al Jaber Heavy Lift

Safely

onwards and upwards



CORPORATE OFFICE

AL JABER HEAVY LIFT
Mussafah, UAE
Tel: + 971 2 555 4300
Fax: + 971 2 555 3370
Email: aje@eim.ae

DOHA HUB

**AL JABER HEAVY LIFT
& TRANSPORT WLL**
P.O. Box 40032
Doha, Qatar
Tel: + 974 4460 3899
Fax: + 974 4460 3897
Email: ajhl@ajhl.com.qa

ABU DHABI HUB

**AL JABER HEAVY LIFT
& TRANSPORT LLC**
P.O. Box 2175
Abu Dhabi, UAE
Tel: + 971 2 582 5454
Fax: + 971 2 582 5115
Email: ajhl@eim.ae

SINGAPORE HUB

**AL JABER HEAVY LIFT
& TRANSPORT PTE LTD**
21 Pandan Crescent
Singapore 128471
Tel: + 65 6775 2411
Fax: + 65 6778 0026
Email: ajhl@ajhl.com.sg

Please visit our website (www.ajhl.com) for subsidiary branch contact details and other information.